

600mm dia. Marker Buoy

ARD-600

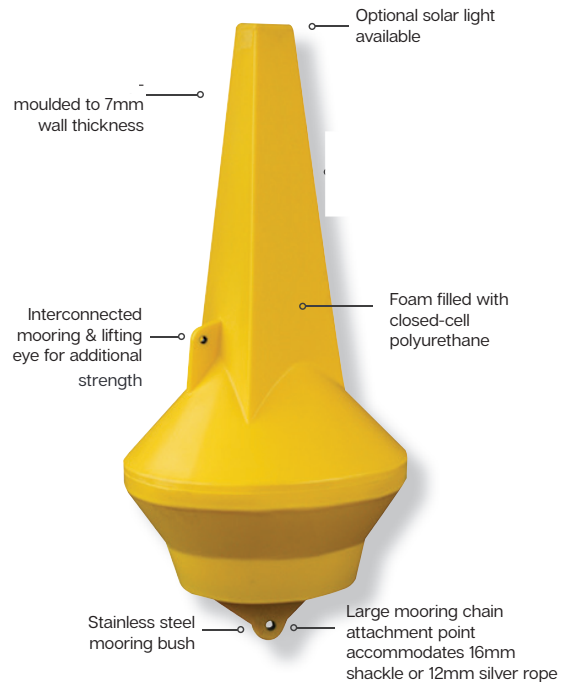


Solar Powered Marker Buoy

The ARD-600 is a short-range buoy ready for immediate installation. Typical applications include day and night channel, speed zone, restricted area marking and aquaculture.

The Buoy is extremely long-lasting, and is moulded in strong, durable, UV-stabilised polyethylene/FRP. A large mooring chain attachment point accommodates a 16mm shackle or 12mm silver rope.

The ARD-600 incorporates an interconnected mooring and lifting eye for additional strength and flexibility in installation. The top section has 3 threaded studs, moulded into the buoy to enable easy mounting of solar lights.

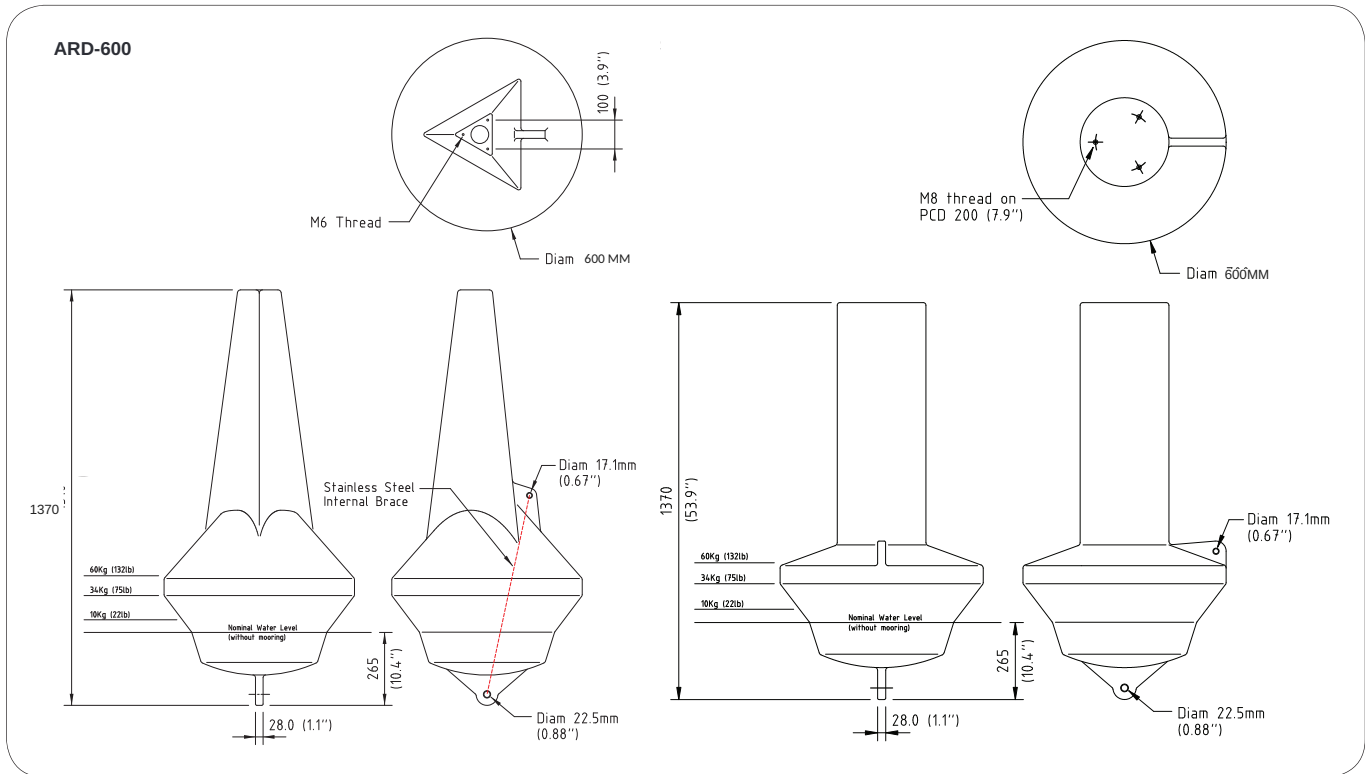


Advantage

- High visibility red, green, white or yellow as per IALA recommendations
- Range of mooring equipment & chain available
- Excellent buoyancy & stability
- Mould-in graphics to suit customer requirements



Technical Illustrations



Technical Specifications*

ARD 600	
General Characteristics	
Available Colours	Red, Green, White, Yellow as per IALA Recommendations
Height (mm)	1370
Dia (mm)	600
Nominal Freeboard (mm/inches)	160
Nominal Draft (mm/inches)	250 / 8
Reserve Buoyancy	65 Kg
Operational Buoyancy (kgs/lbs)	25 / 55
Maximum Mooring Load (kgs/lbs)	25 / 55
Draft, Maximum (mm/inches)	335 / 13
Freeboard, Minimum (mm)	70
Physical Characteristics	
Material	FRP/Rotationally-moulded UV-stabilised virgin polyethylene
Wall Thickness (mm/inches)	7
Fit Type	Universal fit
Filling	Closed-cell polyurethane foam
Height (mm)	1370 /
Width (mm)	600 / 27
Mass (kg/lbs)	33 / 73
Product Life Expectancy	Up to 12 years ^

